

Cam action indexing plungers

with flange / Guide zinc die casting

SPECIFICATION

Guide
Zinc die casting
plastic coated
black, RAL 9005, textured finish **SW**

Plunger pin
Steel
zinc plated, blue passivated

Lever
Plastic (Polyamide PA)

- black, matt
- not removable

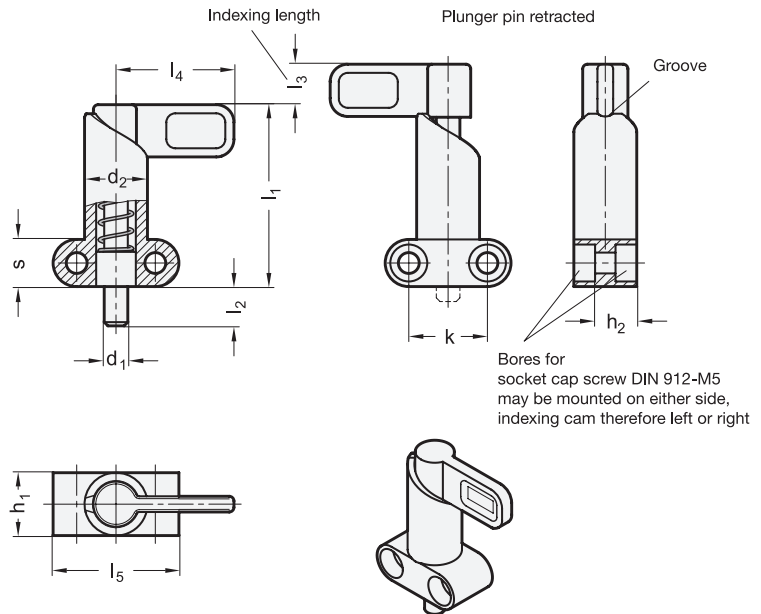
INFORMATION

Cam action indexing plungers GN 612.9 are used in cases where the plunger must not protrude all the time. By rotating the lever through 180° the plunger withdraws itself. The groove allows safe positioning.

- Range of cam action indexing plungers (see page 816)

TECHNICAL INFORMATION

- Plastic characteristics (see page A2)



GN 612.9

Description	d1 Pin-0.05 Bore +0.1/+0.05	l2	d2	h1	h2	k	l1 ≈	l3	l4	l5	s	Spring load in N ≈ initial	Spring load in N ≈ end	⚖
GN 612.9-6-10-16-SW	6	10	16	16	10.5	20	46	10	30	32	12	12	32	57
GN 612.9-6-16-16-SW	6	16	16	16	10.5	20	46	10	30	32	12	12	32	60
GN 612.9-8-10-16-SW	8	10	16	16	10.5	20	46	10	30	32	12	12	32	58
GN 612.9-8-16-16-SW	8	16	16	16	10.5	20	46	10	30	32	12	12	32	60
GN 612.9-8-12-20-SW	8	12	20	20	14.5	22	57	12	37	37	15	21	58	120
GN 612.9-8-18-20-SW	8	18	20	20	14.5	22	57	12	37	37	15	21	58	120
GN 612.9-10-10-16-SW	10	10	16	16	10.5	20	46	10	30	32	12	12	32	61
GN 612.9-10-16-16-SW	10	16	16	16	10.5	20	46	10	30	32	12	12	32	120
GN 612.9-10-12-20-SW	10	12	20	20	14.5	22	57	12	37	37	15	21	58	122
GN 612.9-10-18-20-SW	10	18	20	20	14.5	22	57	12	37	37	15	21	58	120
GN 612.9-12-12-20-SW	12	12	20	20	14.5	22	57	12	37	37	15	21	58	127
GN 612.9-12-18-20-SW	12	18	20	20	14.5	22	57	12	37	37	15	21	58	130

